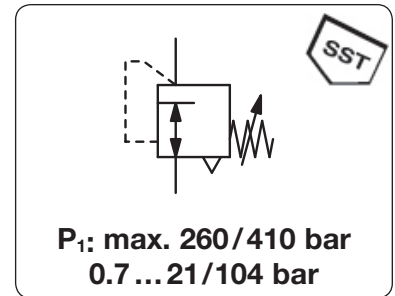


Description	High pressure regulator with high flow and high reliability. Large piston sensor for high sensitivity and balanced stem design for constant downstream pressure.		
Media	compressed air, non-corrosive gases or liquids		
Supply pressure	max. 260 bar, optionally up to 345 bar or 410 bar		
Leakage rate	< 1 x 10 ⁻⁴ mbar l/s He		
Adjustment	by black plastic knob		
Relieving function	relieving, optionally non-relieving		
Gauge port	none, optionally 1/4" NPT for inlet and outlet		
Mounting position	any		
Temperature range	-25 °C to 100 °C / -13 °F to 212 °F		
Material	Body:	brass,	optionally stainless steel
	O-rings:	NBR/Buna-N and FKM	
	Main valve seat:	CTFE,	PTFE at RH3-04B
	Relieving valve:	CTFE,	PTFE at RH3-04B/-04C
	Inner valve:	PTFE and brass,	optionally stainless steel



Dimensions			K _v -value (m ³ /h)	Flow rate		Connection thread NPT	Pressure range bar	Order number
A	B	C		m ³ /h*1	l/min*1			
mm	mm	mm						

High pressure regulator 260 bar, 1/2" NPT								relieving, brass	RH3
76	203	45	1.7	420	7000	1/2" NPT	0.7 ... 21	RH3-04B	
							1.0 ... 42	RH3-04C	
							1.4 ... 70	RH3-04D	
							3.4 ... 104	RH3-04E	



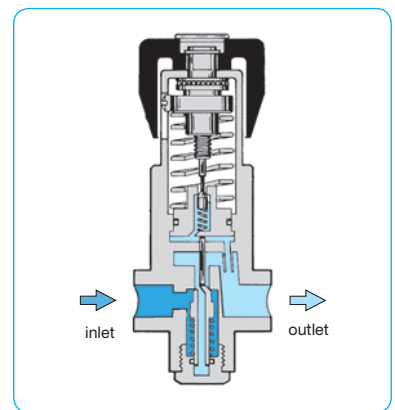
RH3



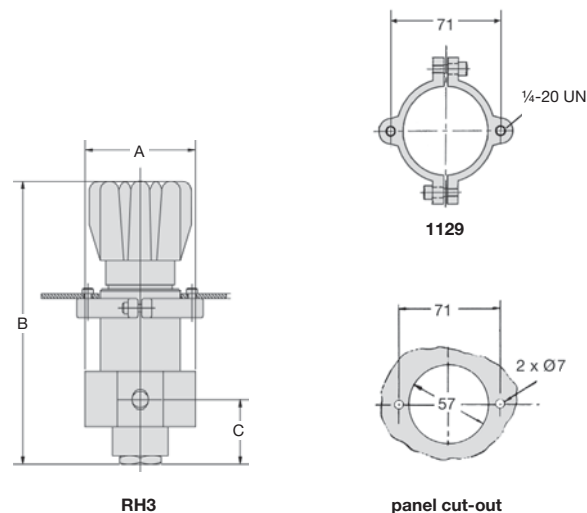
Special options, add the appropriate letter			
3/4" NPT	connection thread		RH3-0 .6
non-relieving	without relieving function		RH3-0 .K
stainless steel, 310 bar	body: stainless steel 316		RH3-0 .S1
stainless steel, 410 bar	body: stainless steel 316,	pressure range 3 ... 172 bar	RH3-0 .S2
brass, 345 bar	body: brass,	pressure range 3 ... 172 bar	RH3-0 .U
gauge port	1/4" NPT for inlet and outlet		RH3-0 .M
brass pressure gauge	inlet side	HM	outlet side RH3-0 .MGM
SST pressure gauge	inlet side	H	outlet side RH3-0 .MG

Accessories

set of mounting brackets for panel mounting **1129**



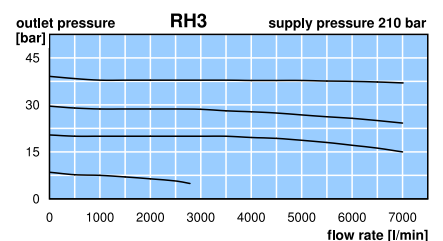
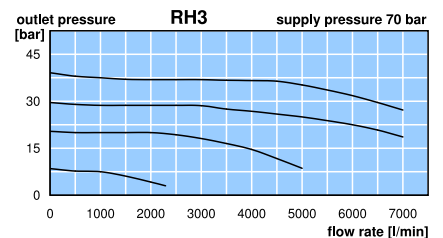
cross-section



RH3

panel cut-out

gauge port, option "M"



*1 at 210 bar supply pressure and 40 bar outlet pressure